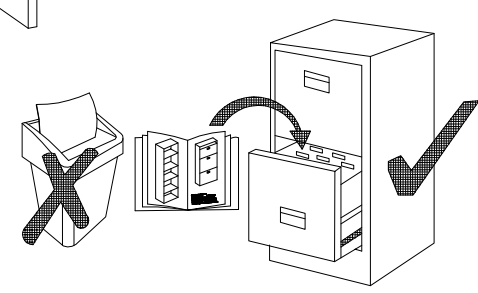
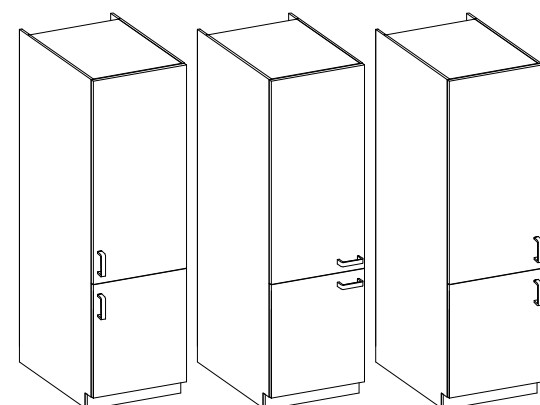
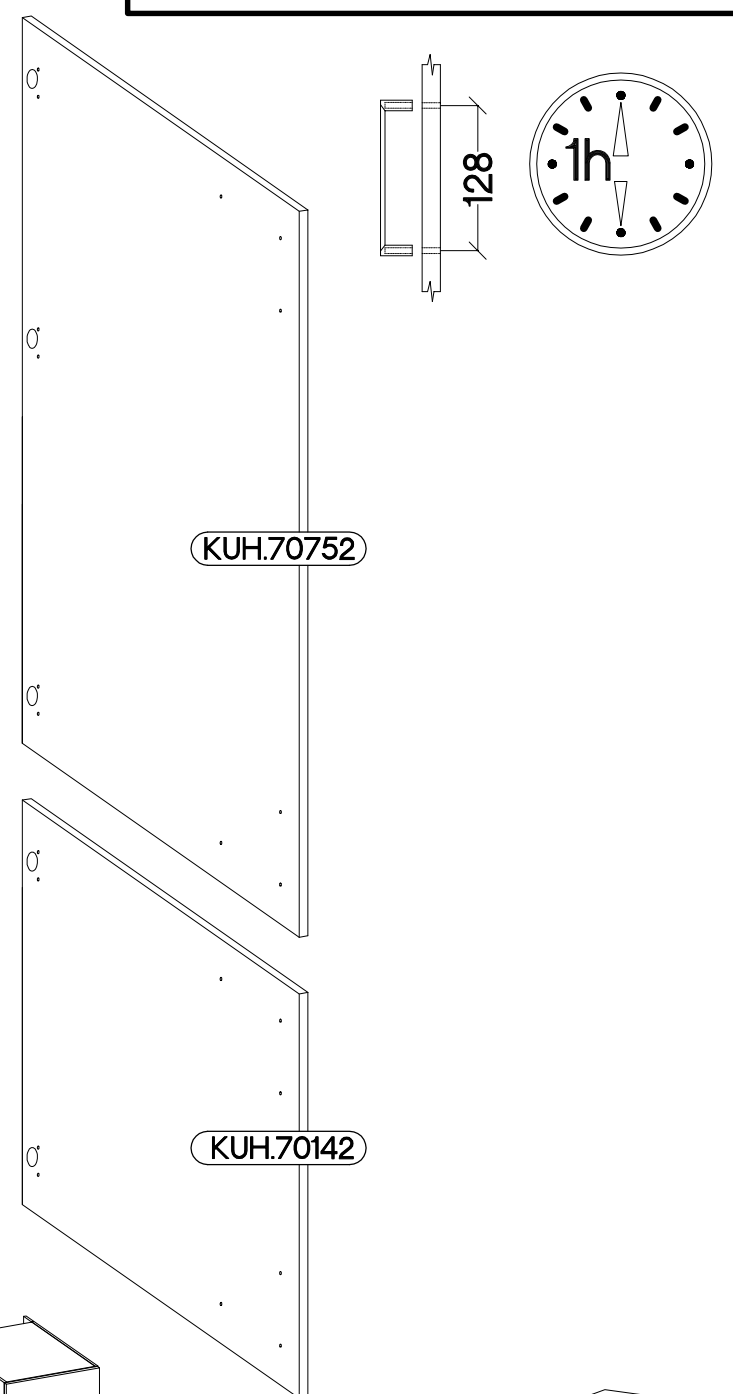
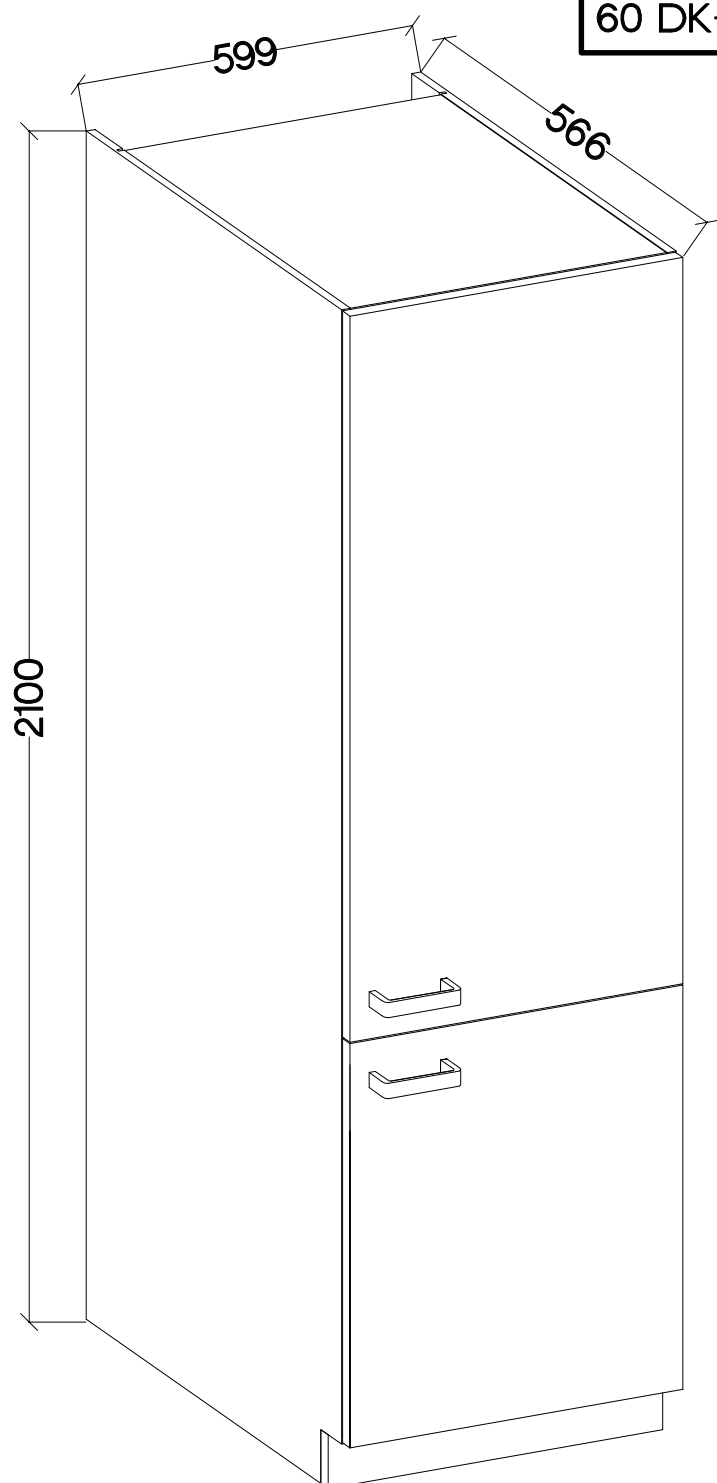
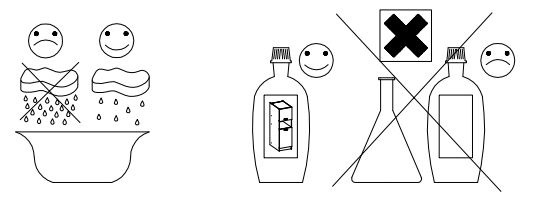
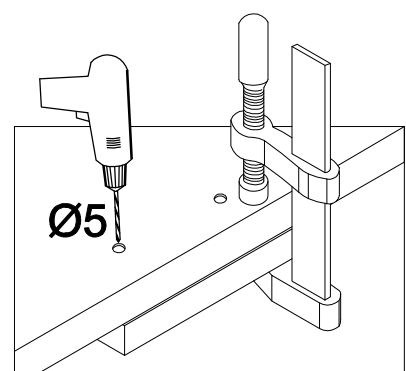
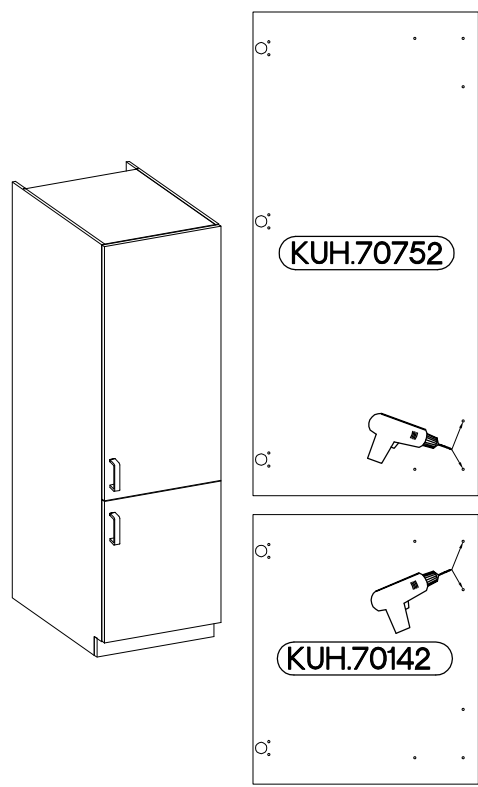
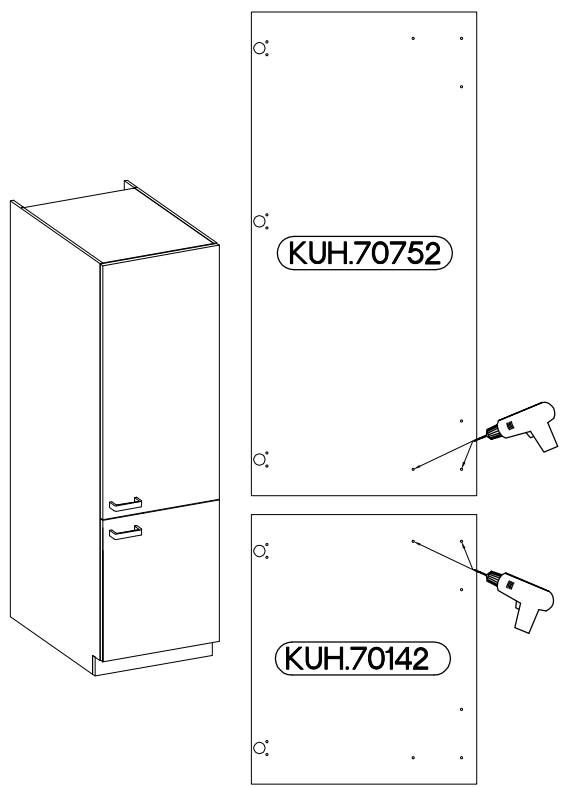
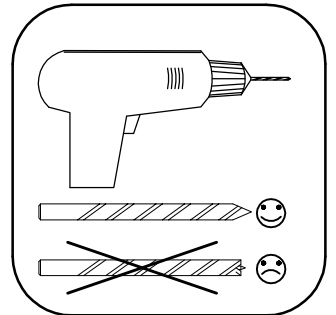
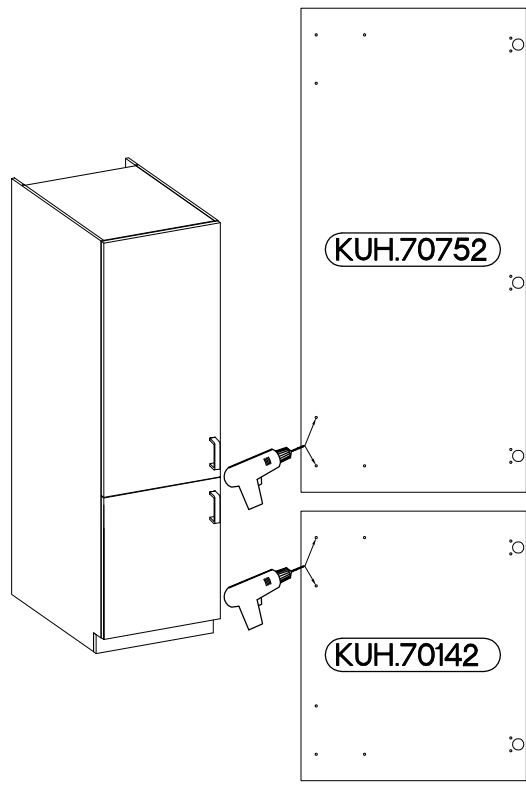
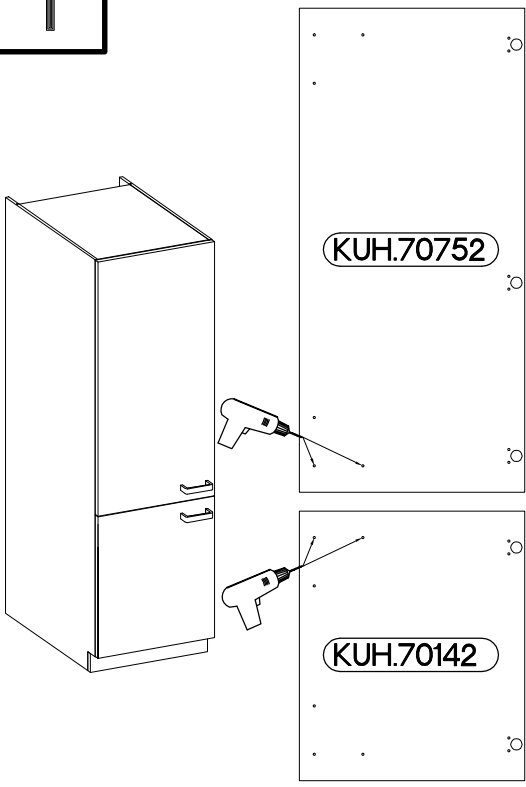


60 DK-2100 2F

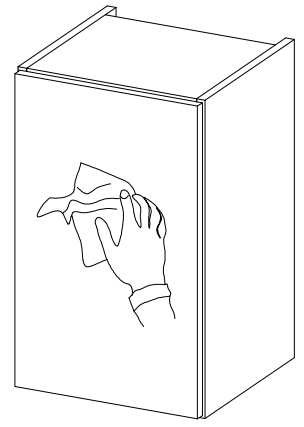
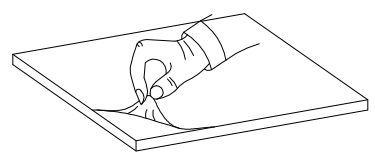
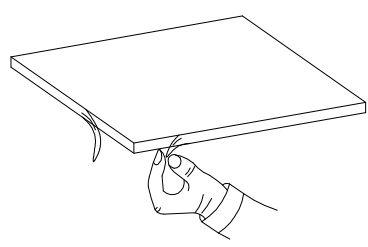


ISM-KUH-01104



1

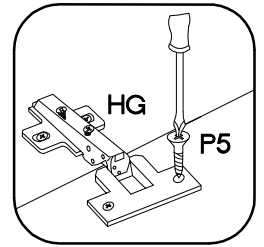
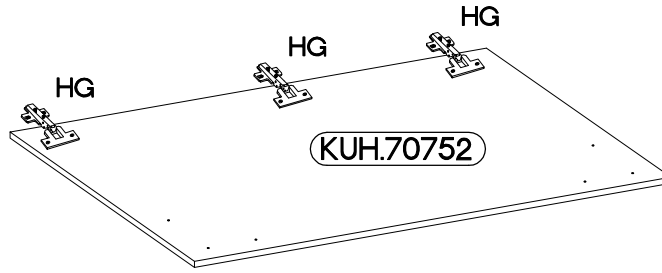
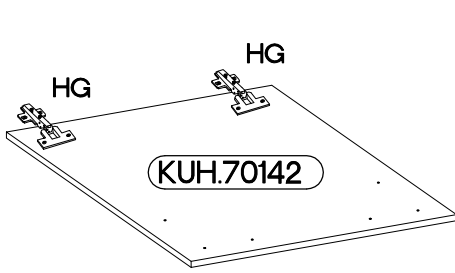


VARIANT HIGH GLOSS

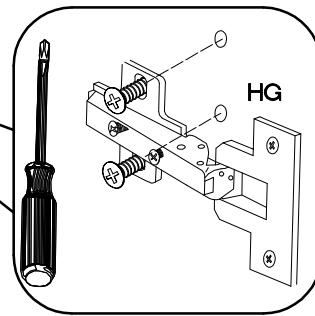
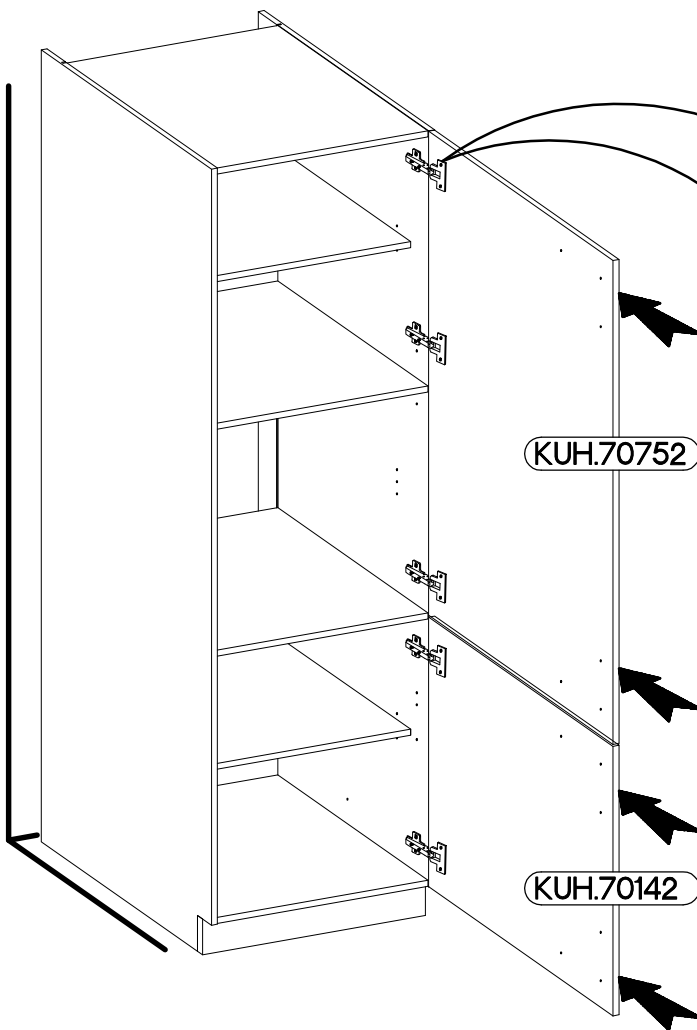




2

| | |
|--|--|
| +35/0mm | +3.5x13mm |
|  |  |
| HG | P5 |
| 5 | 10 |



3



| | | |
|---------|---|---|
| M4x22mm |  |  |
| | U | S23 |
| | 4 | 2 |

