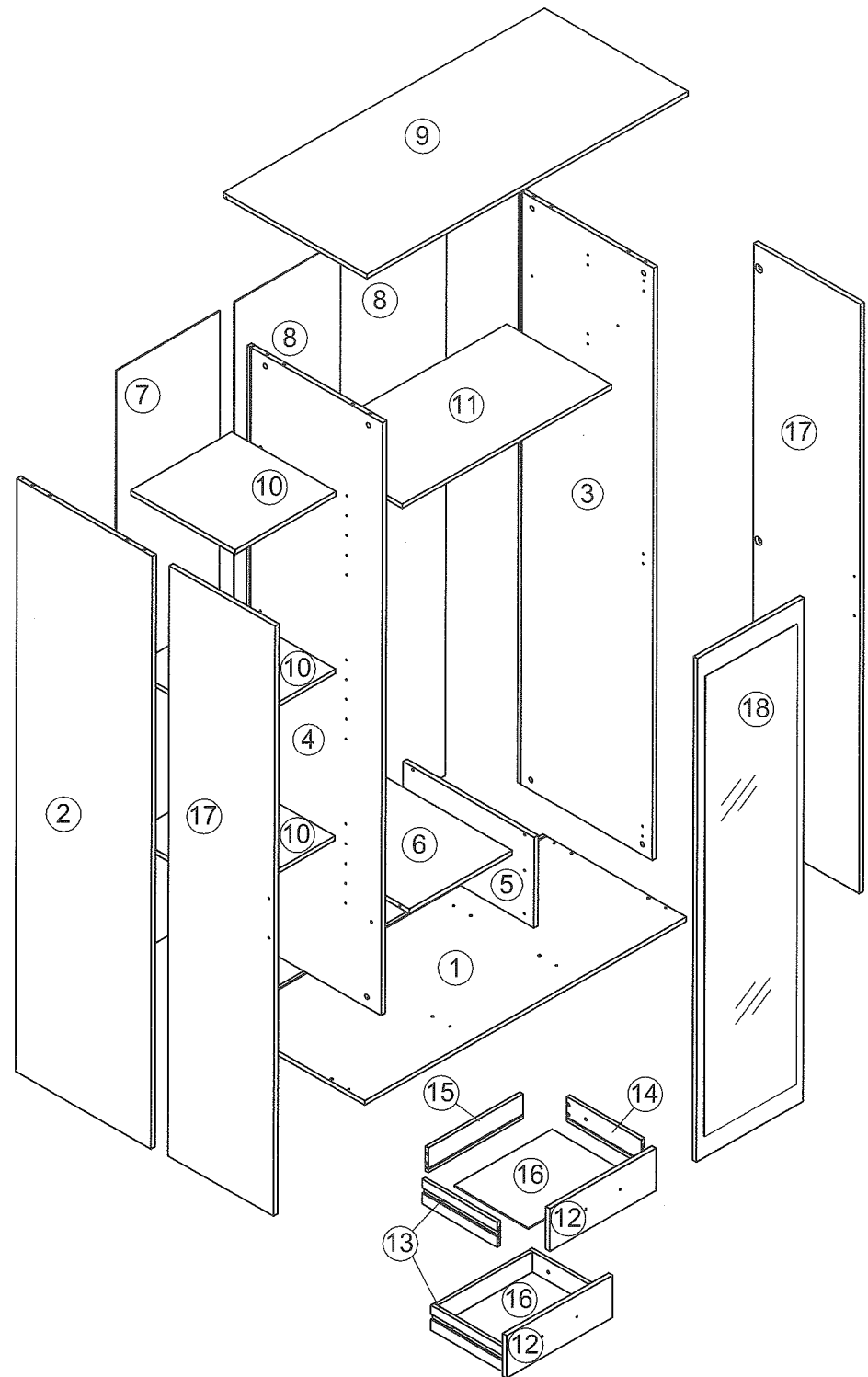
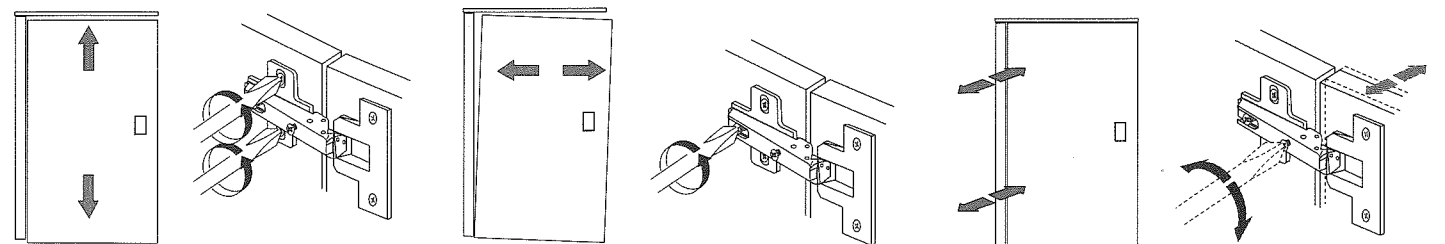
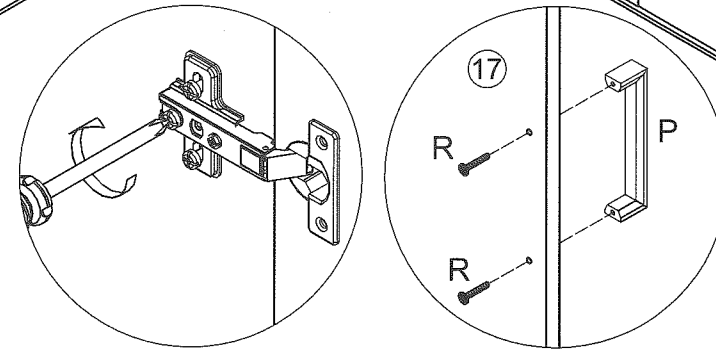
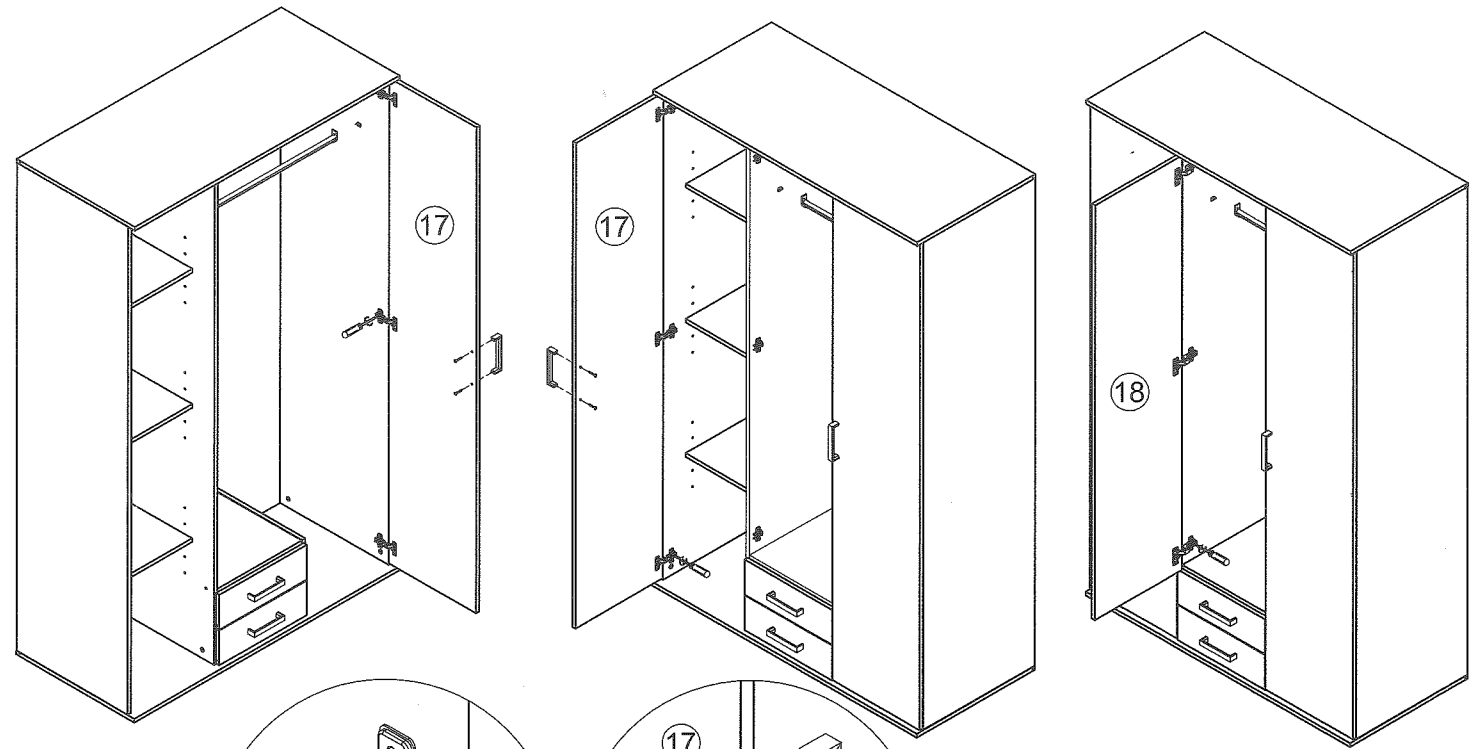
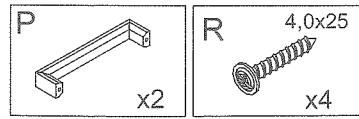


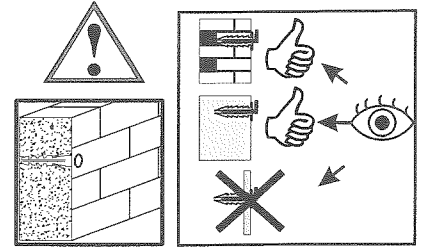
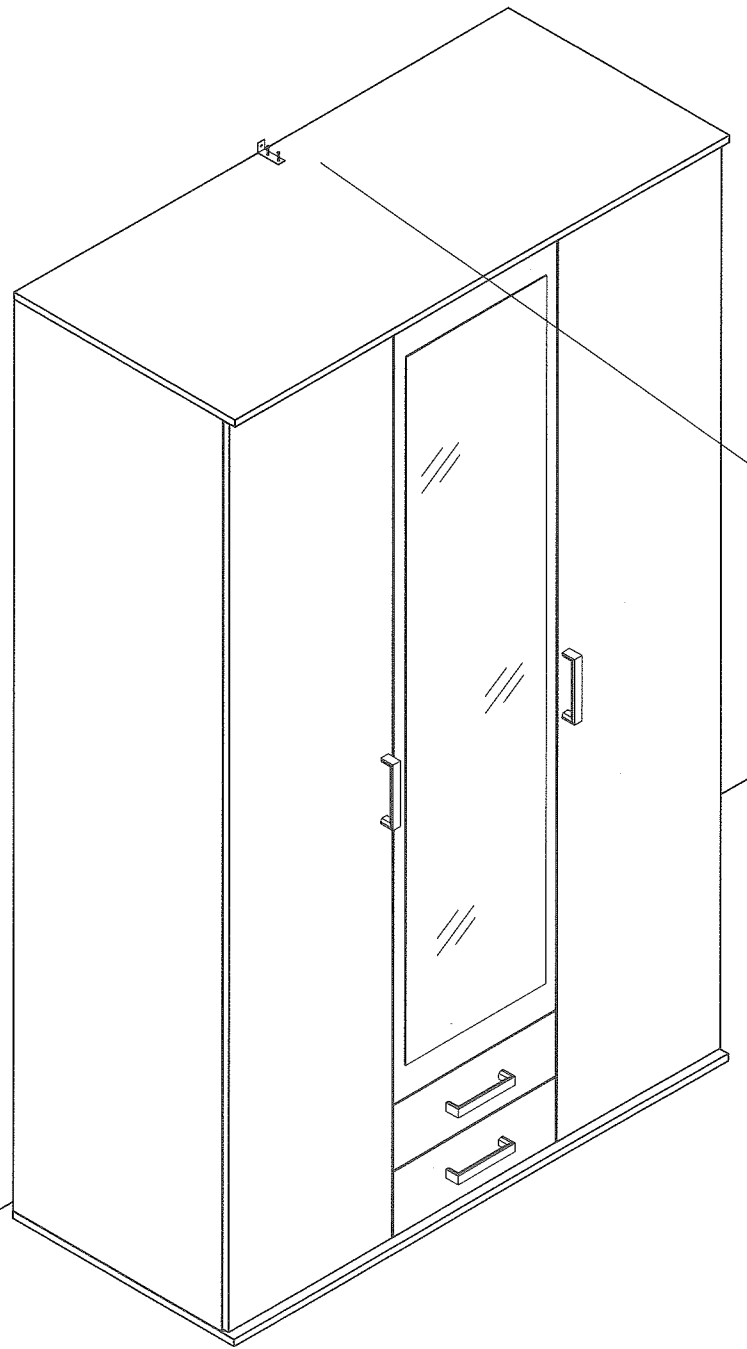
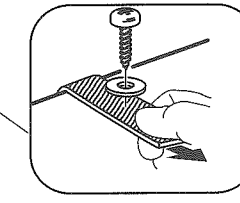
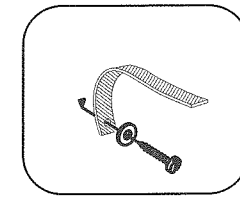
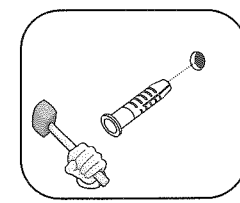
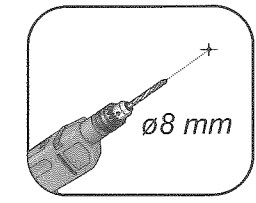
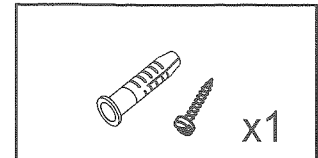
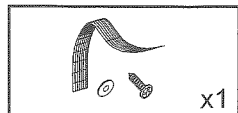
1	x1	ca. 1196 x 535 x 15	1/2
2	x1	ca. 1918 x 504 x 15	1/2
3	x1	ca. 1918 x 504 x 15	1/2
4	x1	ca. 1918 x 504 x 15	1/2
5	x1	ca. 293 x 490 x 15	1/2
6	x1	ca. 381 x 489 x 15	1/2
7	x1	ca. 1927 x 385 x 3	2/2
8	x2	ca. 1927 x 391 x 3	2/2
9	x1	ca. 1196 x 535 x 15	1/2

10	x3	ca. 375 x 390 x 15	2/2
11	x1	ca. 773 x 390 x 15	2/2
12	x2	ca. 395 x 137 x 15	2/2
13	x2	ca. 279 x 80 x 12	2/2
14	x2	ca. 279 x 80 x 12	2/2
15	x2	ca. 352 x 80 x 12	2/2
16	x2	ca. 361 x 276 x 3	2/2
17	x1	ca. 1909 x 395 x 15	2/2
18	x1	ca. 1630 x 395 x 15	2/2

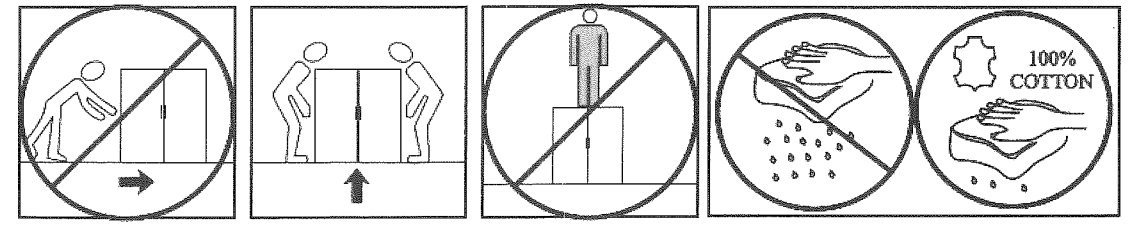
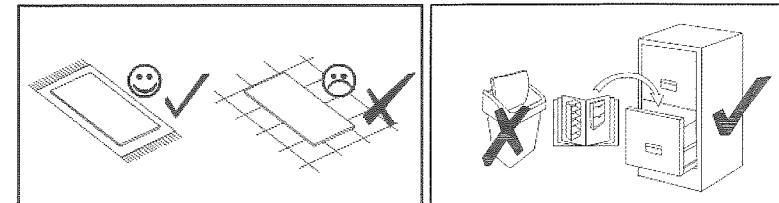
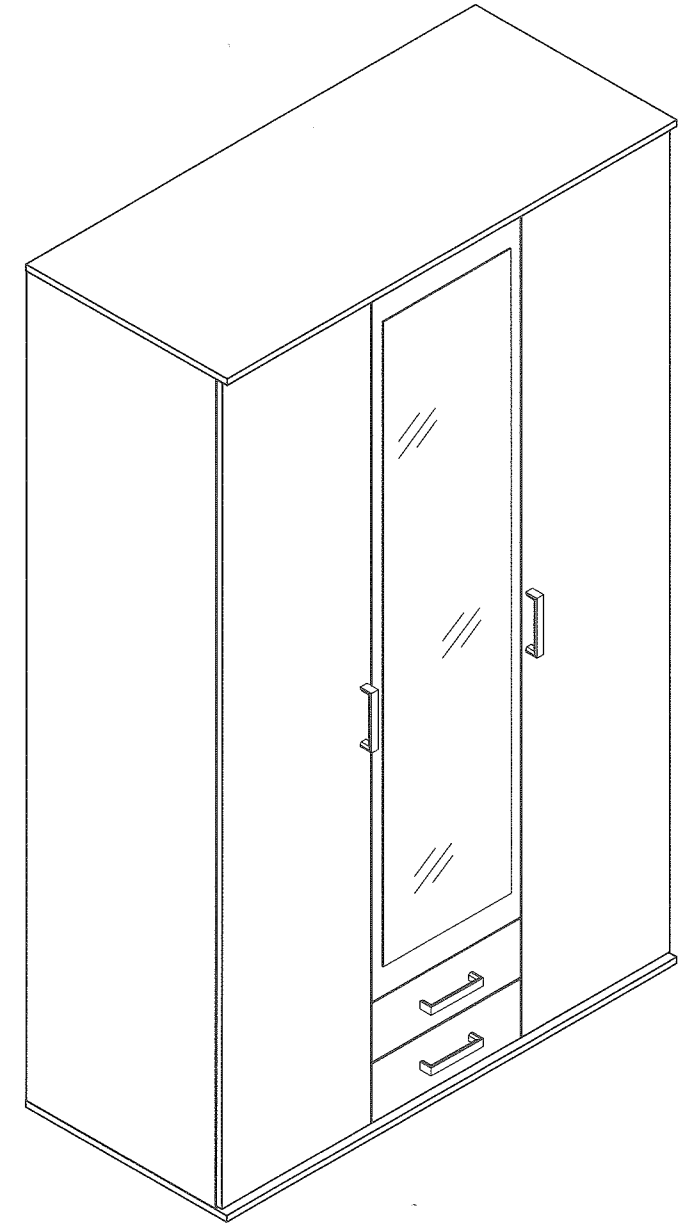
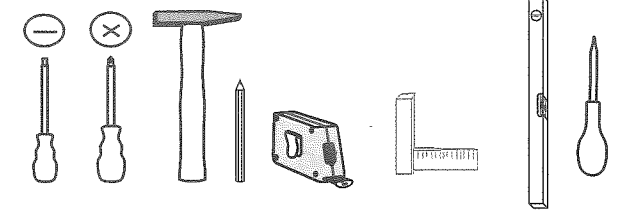
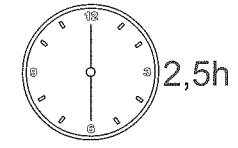
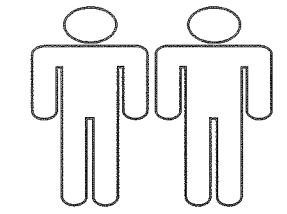


21

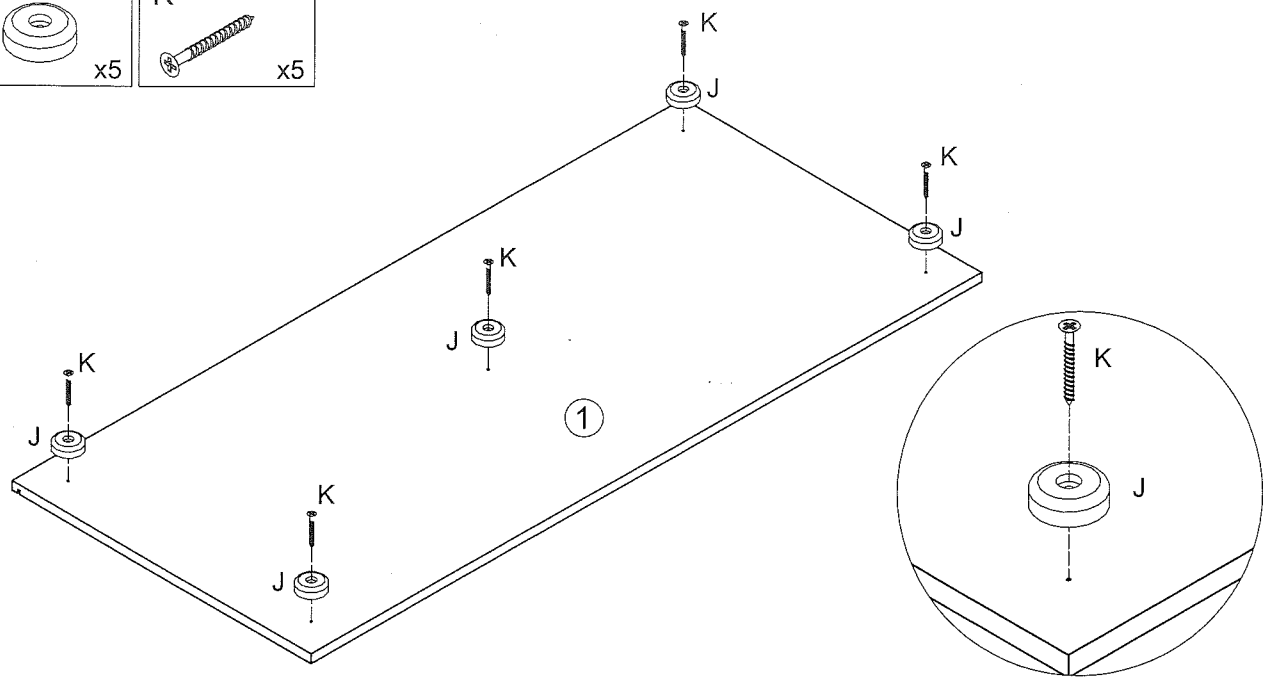
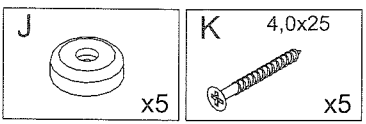




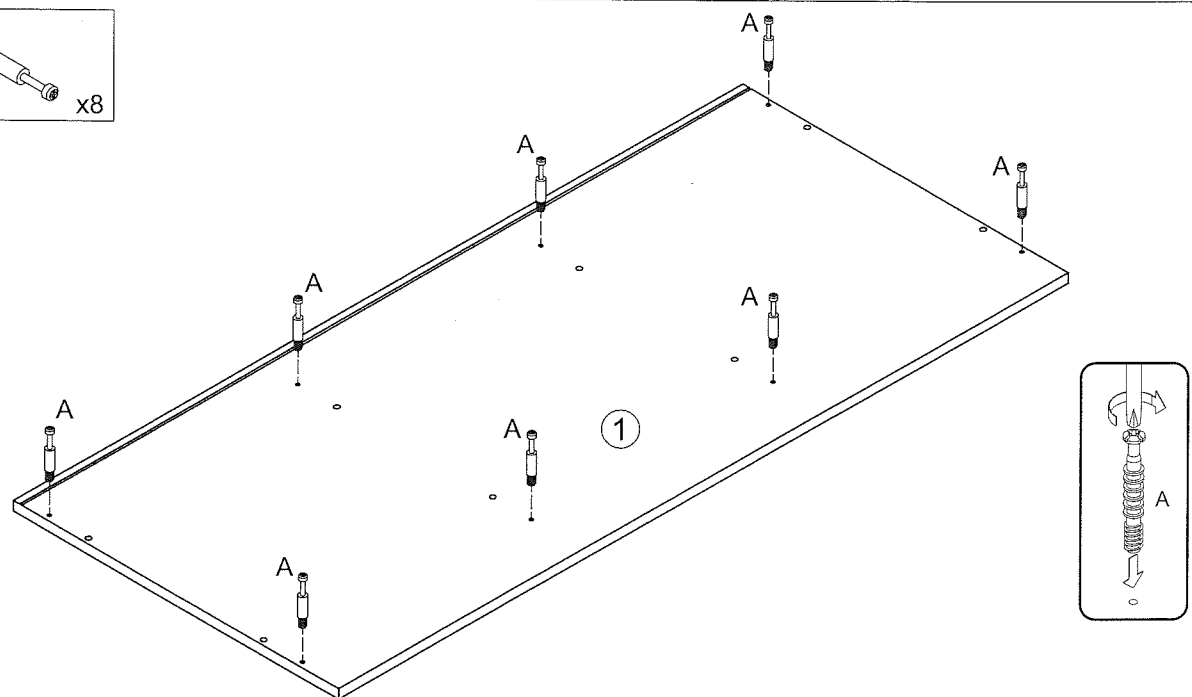
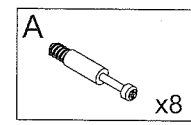
# KARL Kleiderschrank 3- trg. 58-795-17-9



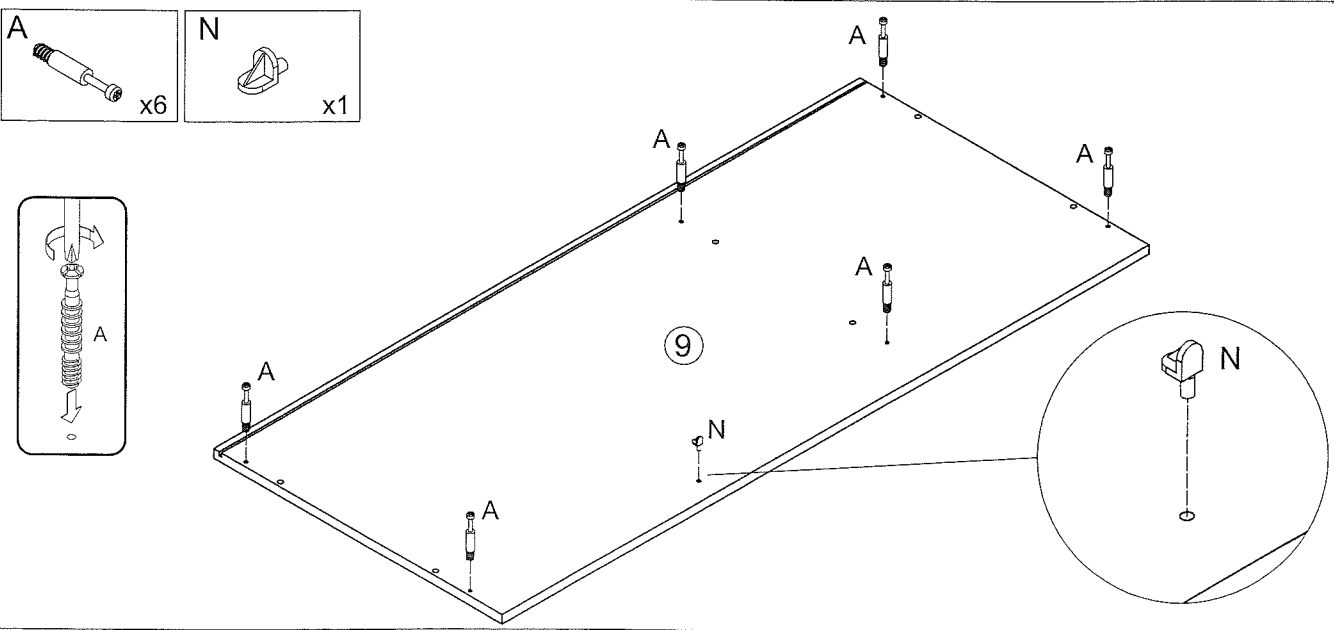
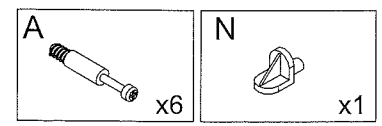
2



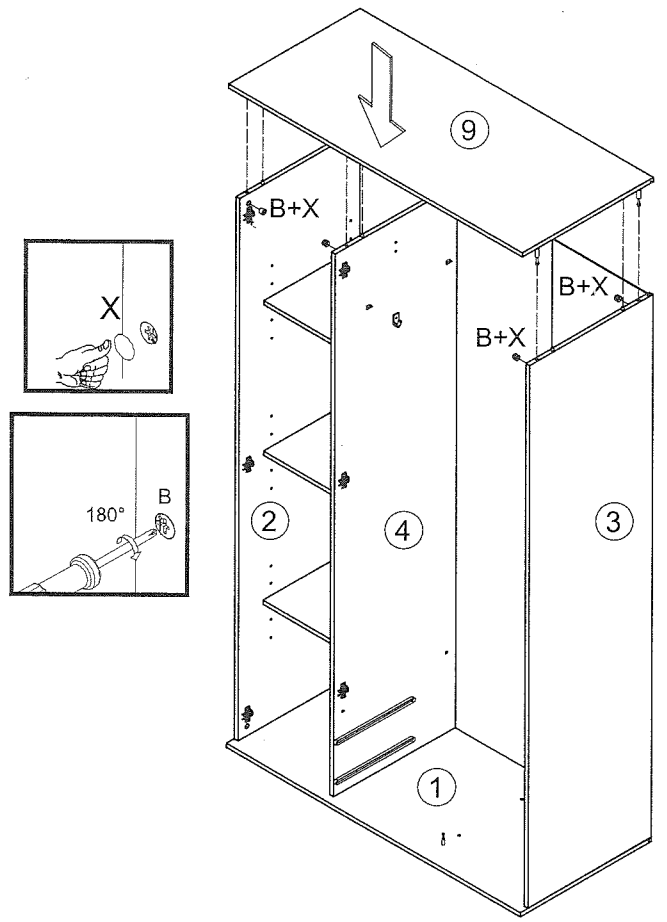
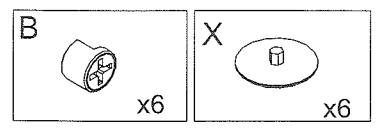
3



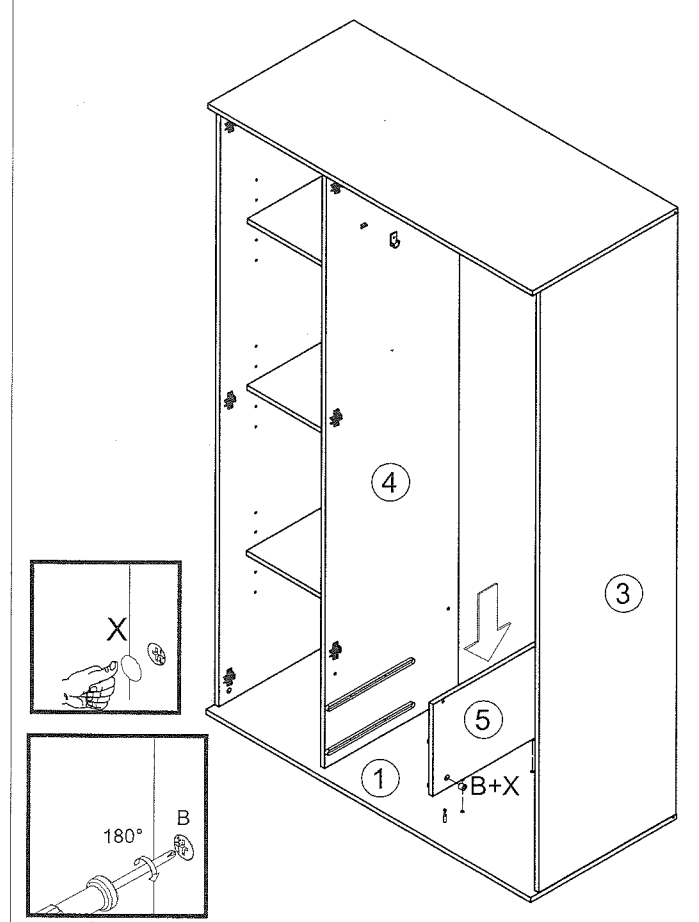
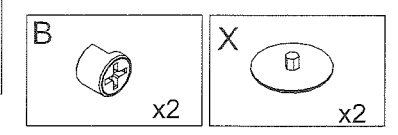
4



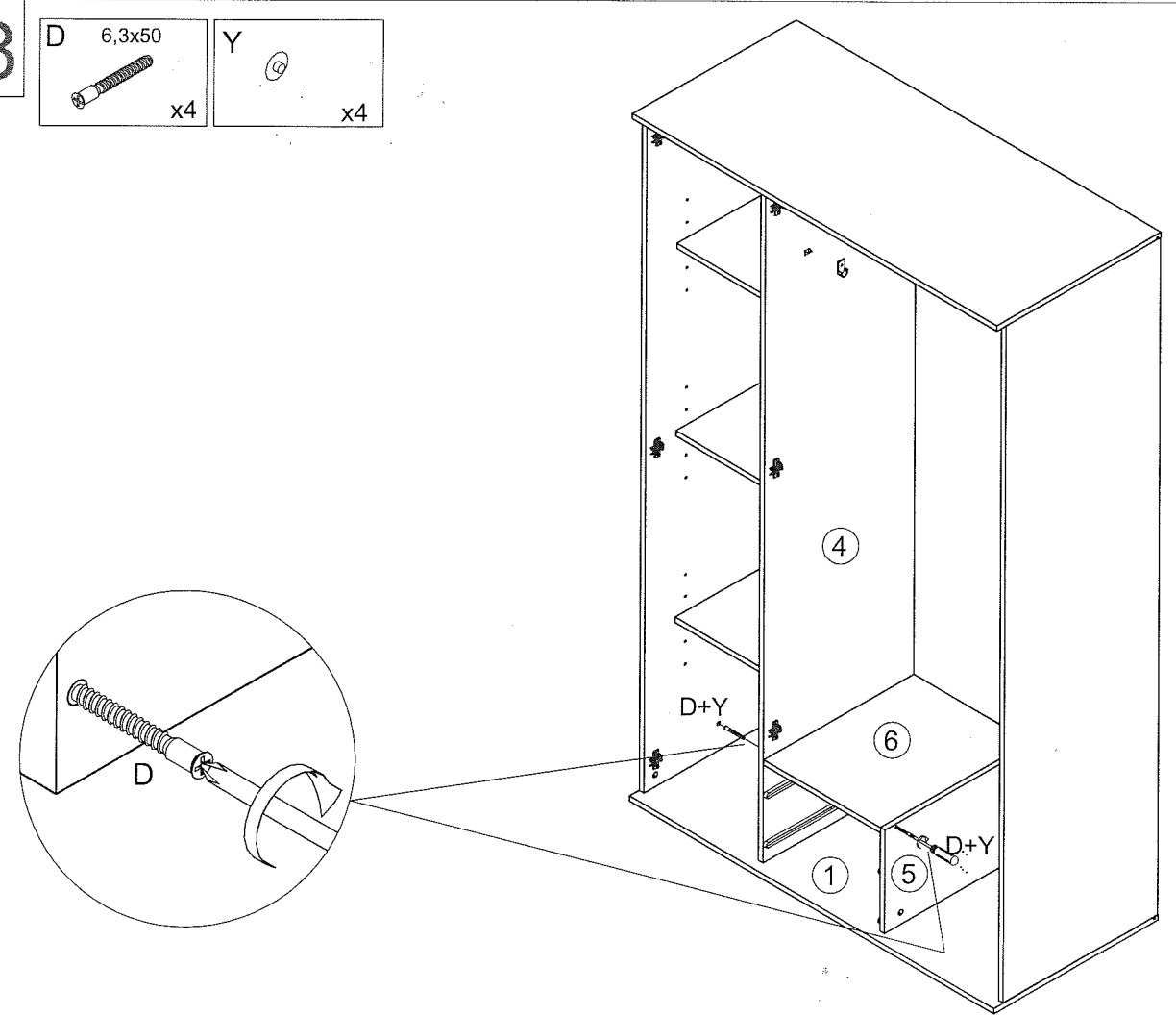
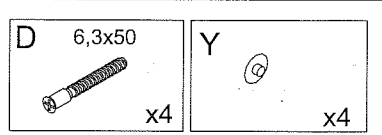
16



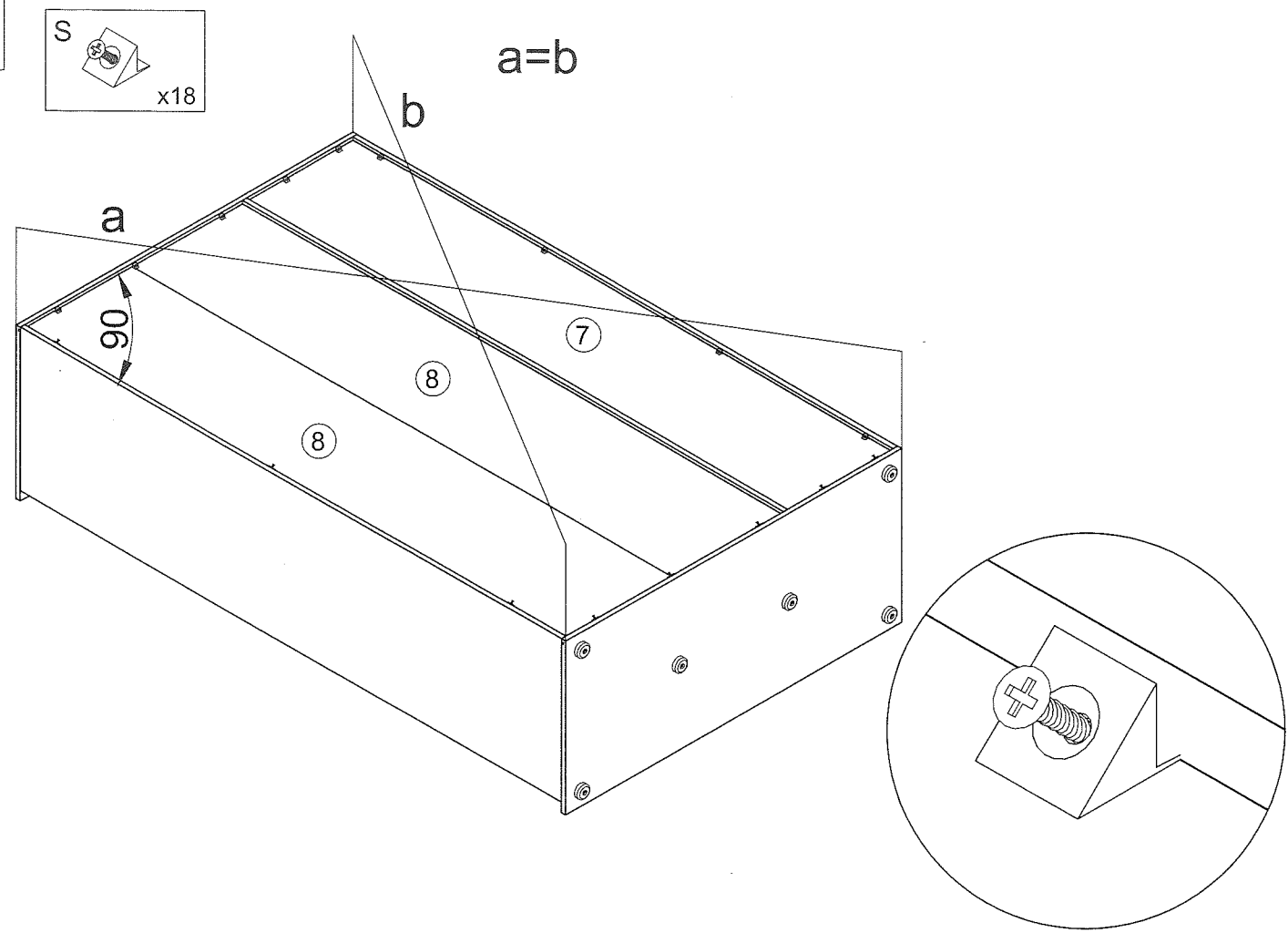
17

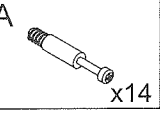
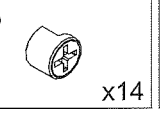
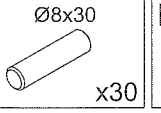
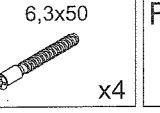
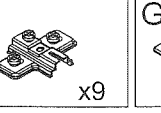
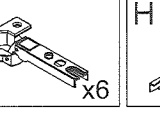
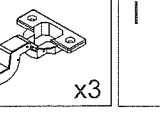
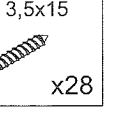
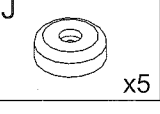
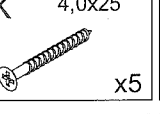
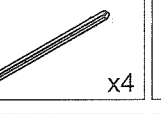
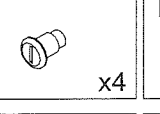
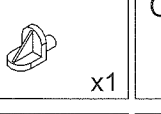
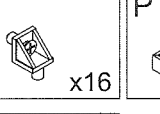
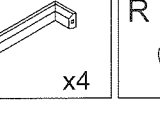
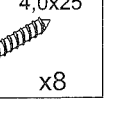
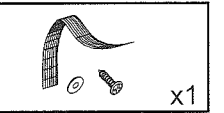

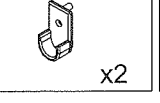
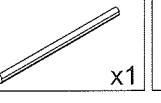
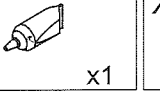
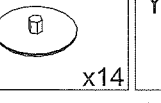
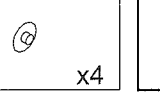


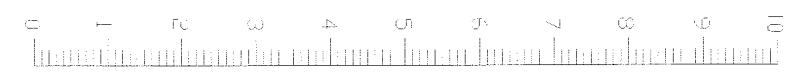
18



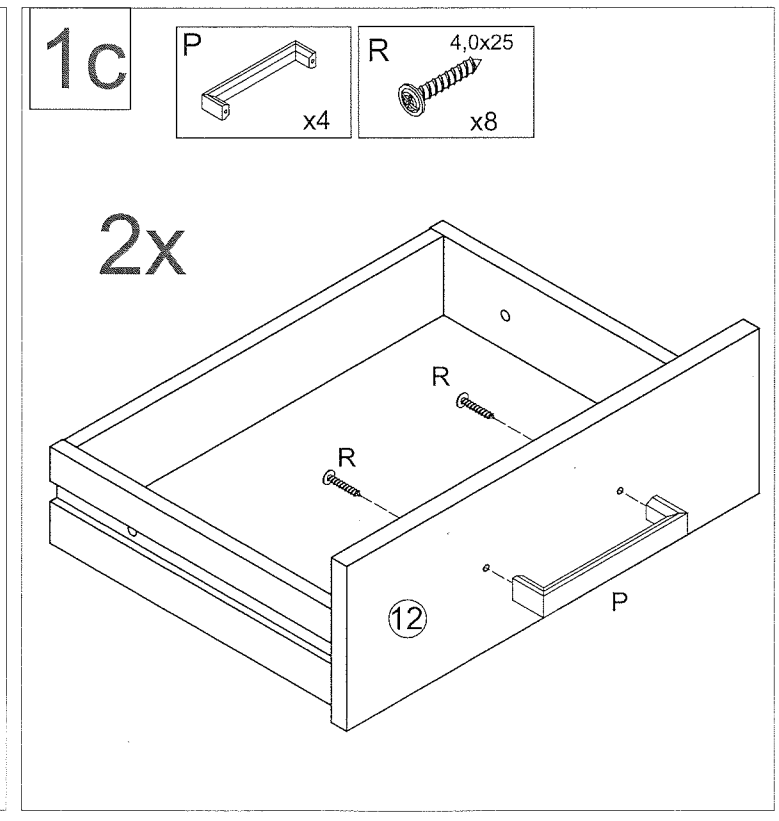
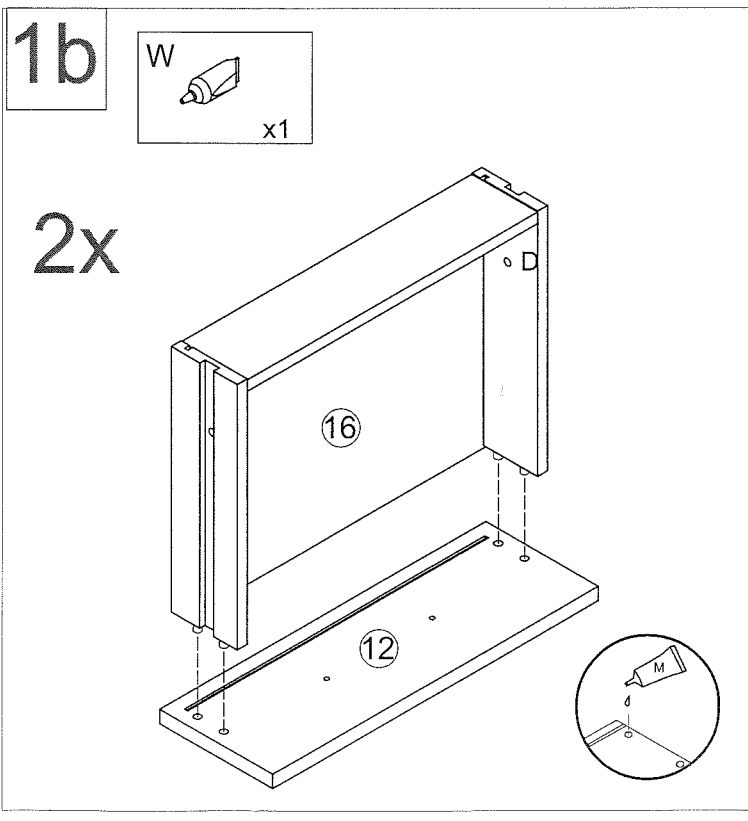
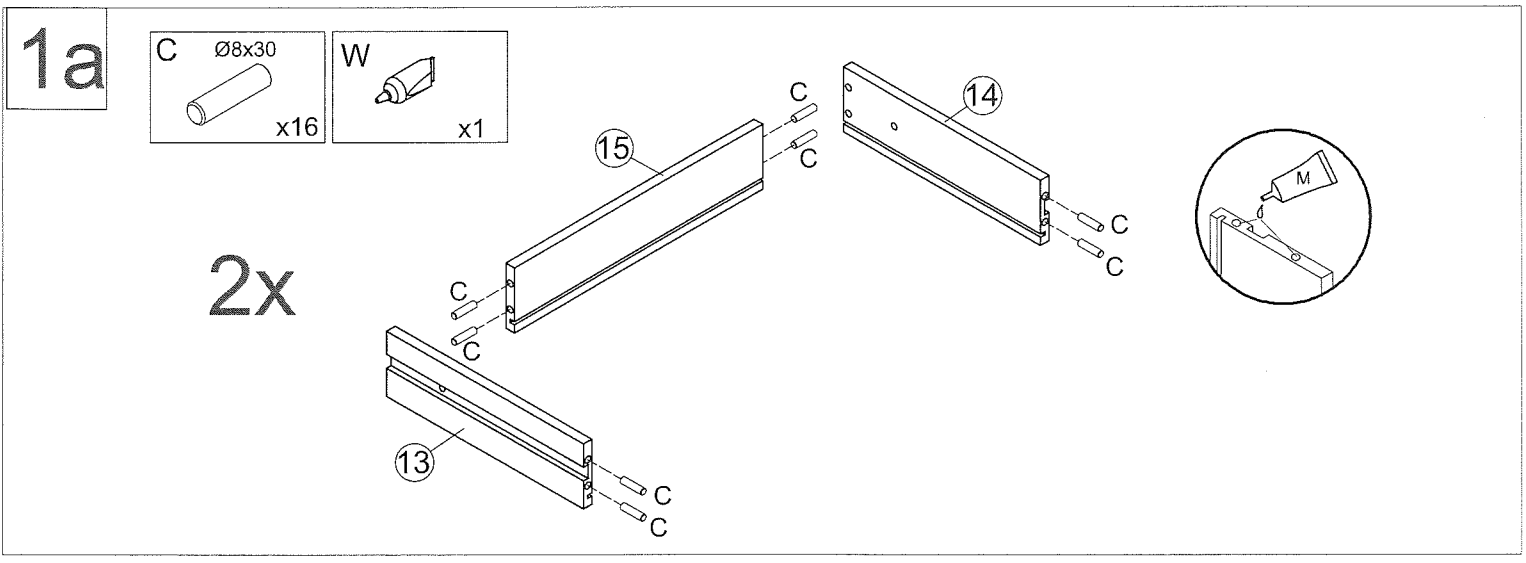
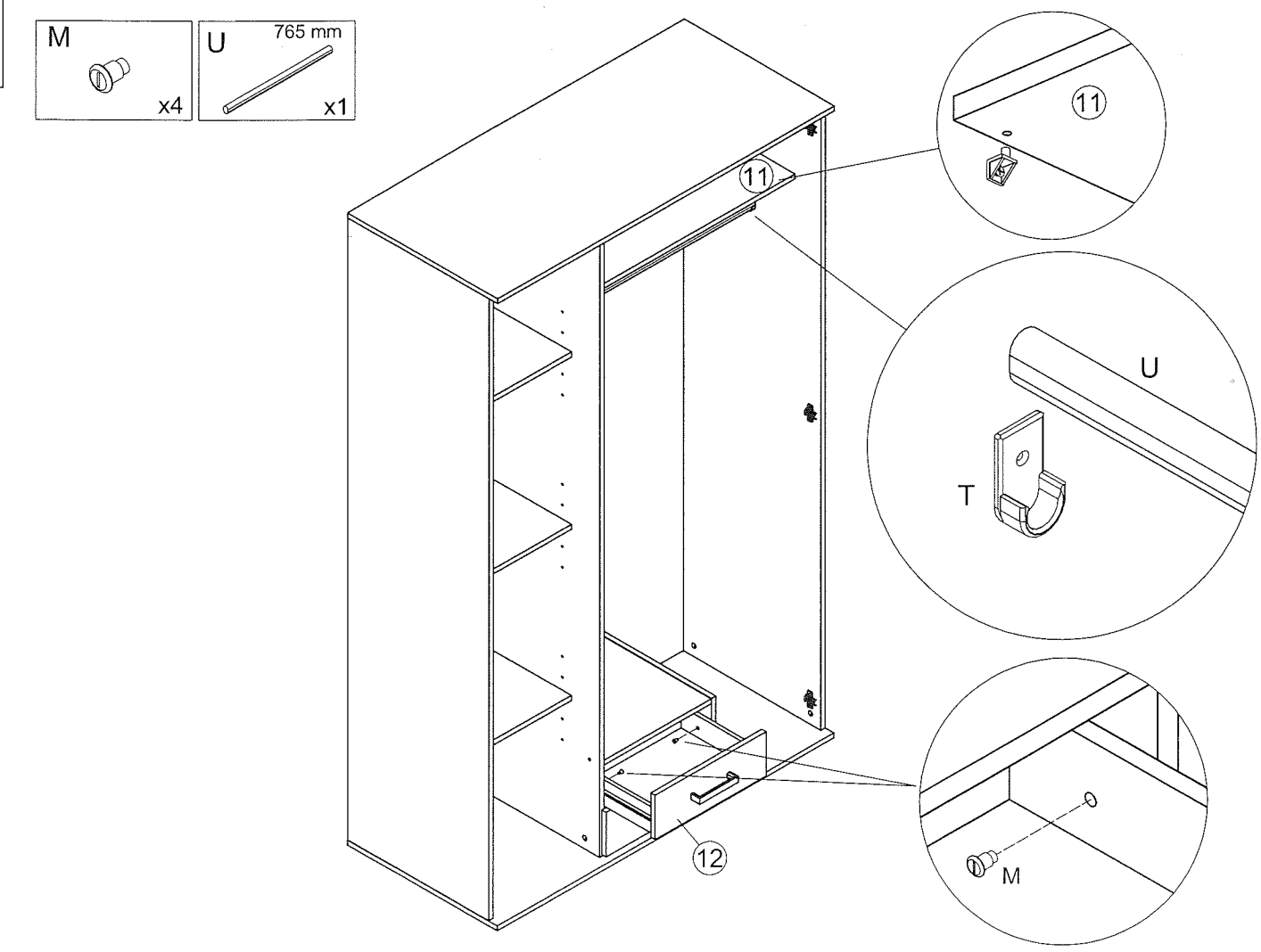
19

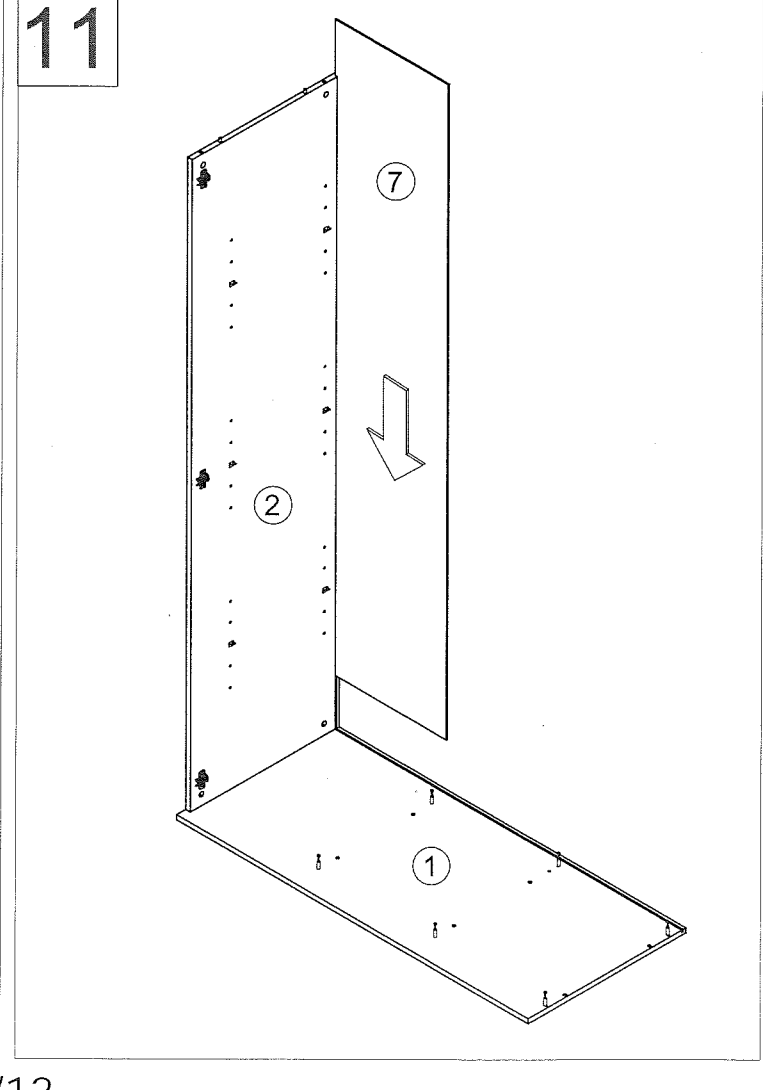
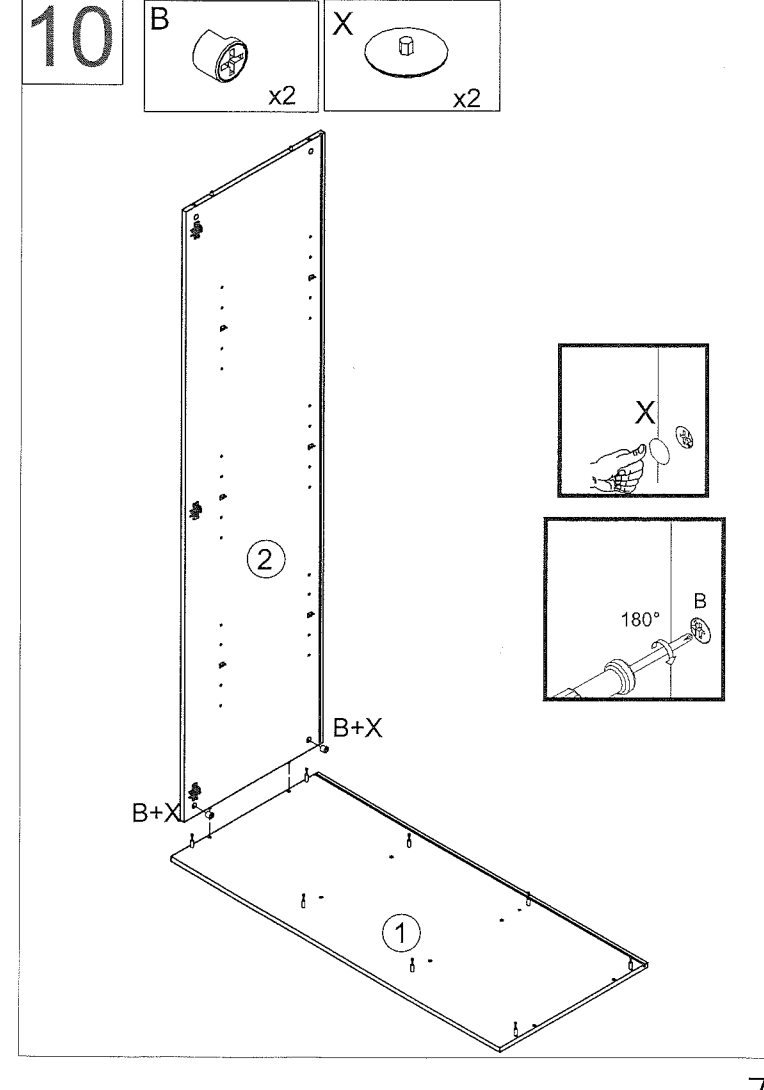
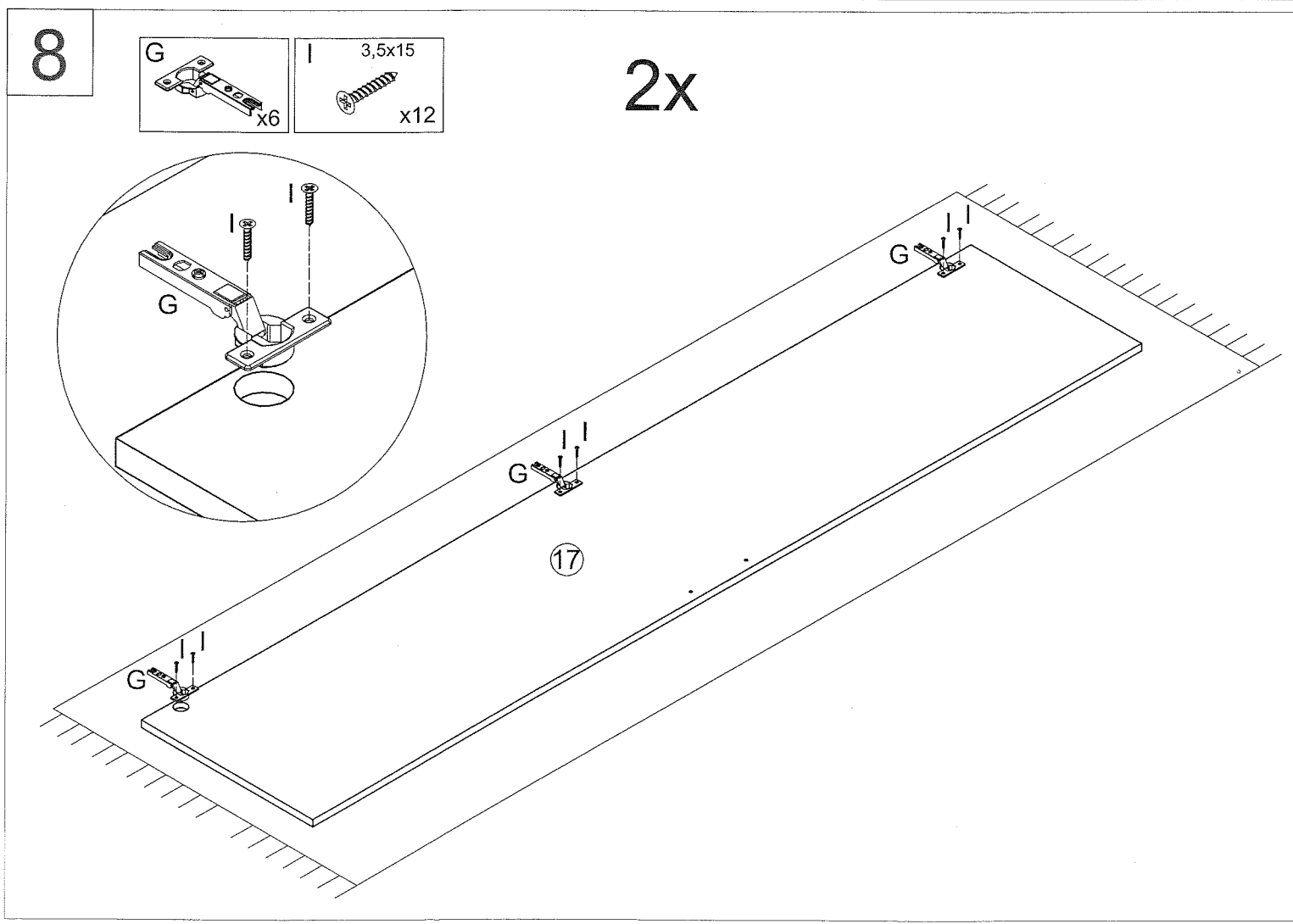
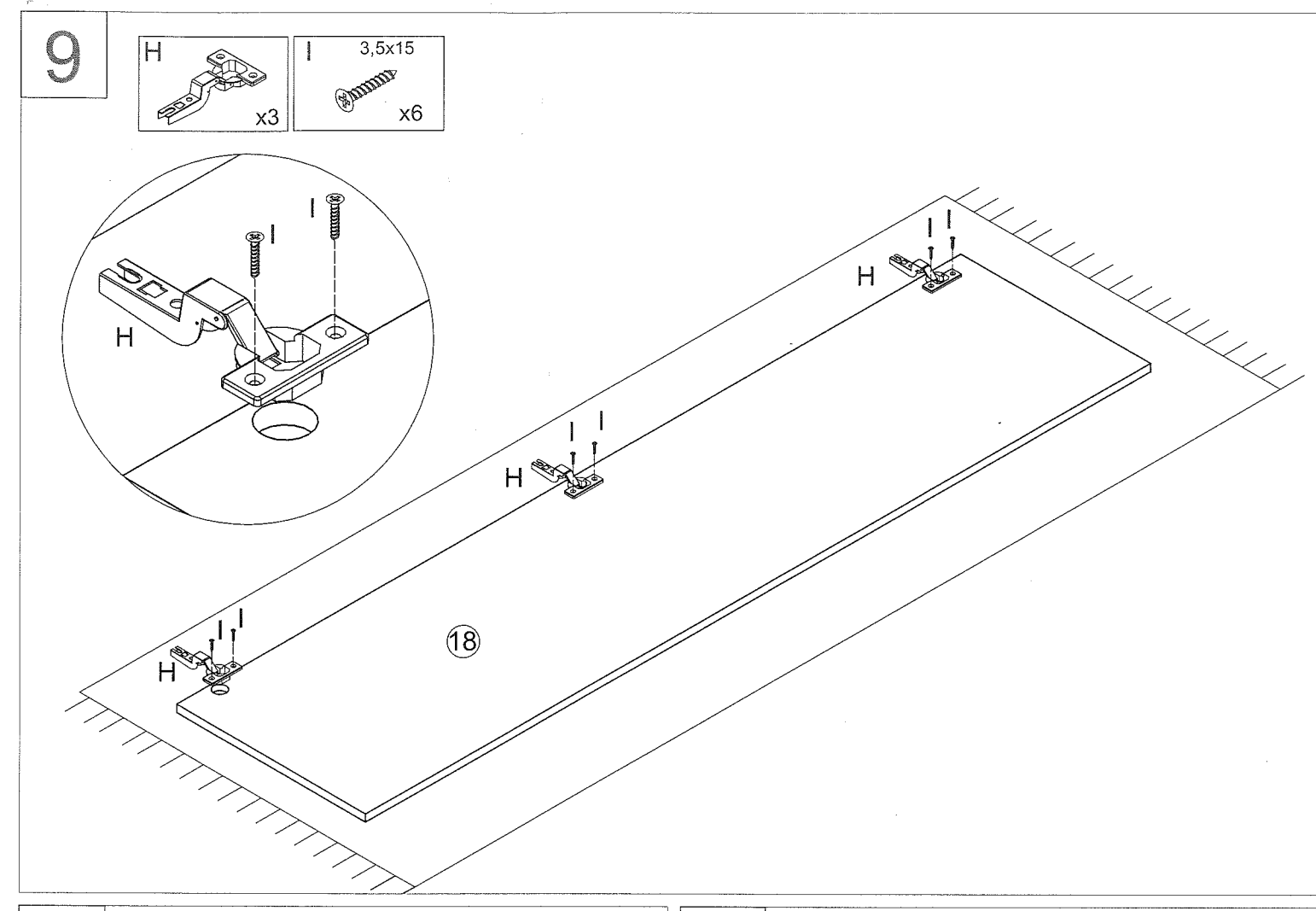
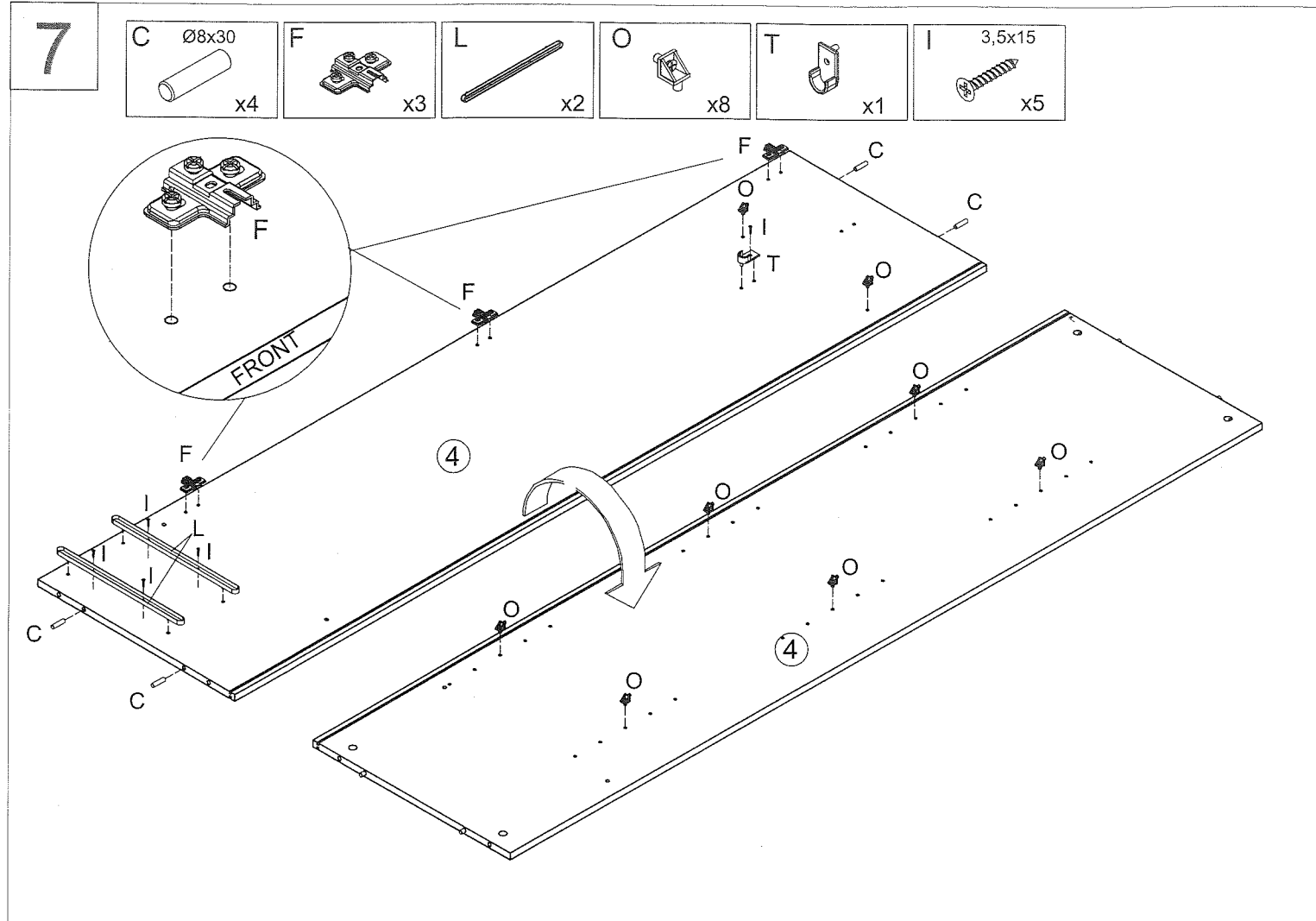


- |   |   |   |  |   |   |  |   |
|---|---|---|--|---|---|--|---|
| A   | B   | C   | D  | F   | G   | H  | I   |
|  x14  |  x14        |  Ø8x30 x30  |  6,3x50 x4 |  x9   |  x6   |  x3  |  3,5x15 x28 |
| J   | K   | L   | M  | N   | O   | P  | R   |
|  x5  |  4,0x25 x5 |  x4        |  x4       |  x1  |  x16 |  x4 |  4,0x25 x8 |
| S   | T   | U   | W  | X   | Y   |  x1 |   |
|  x18 |  x2        |  765 mm x1 |  x1       |  x14 |  x4  |  |   |

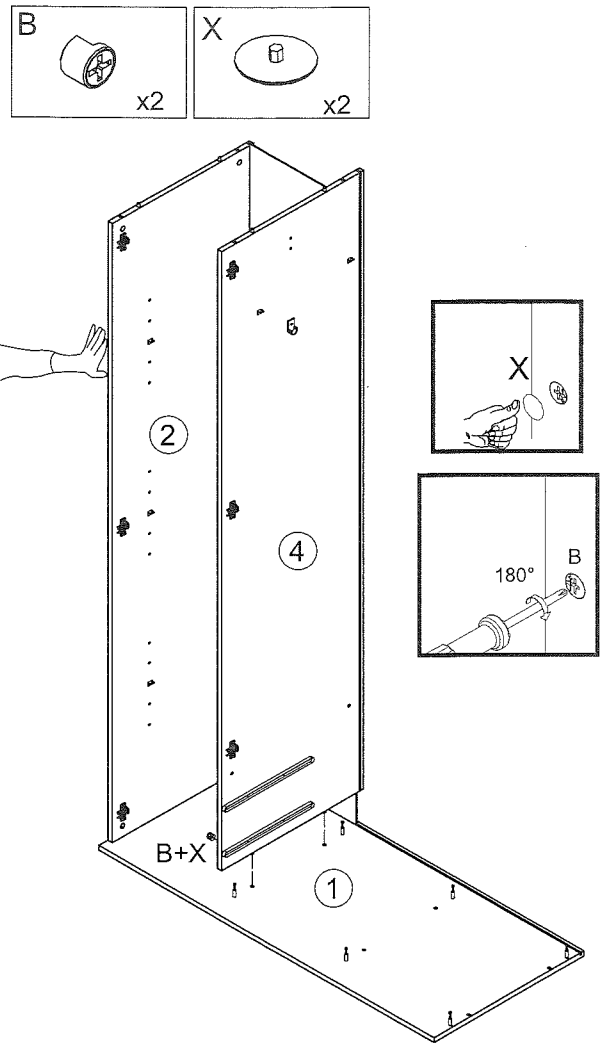


20

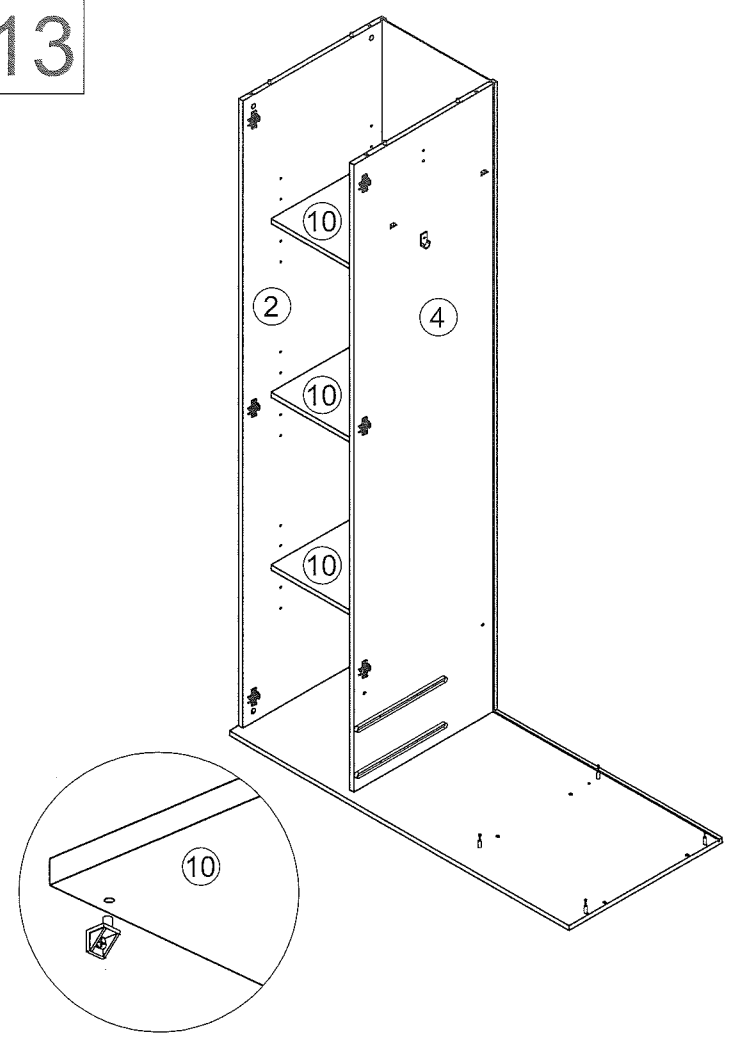




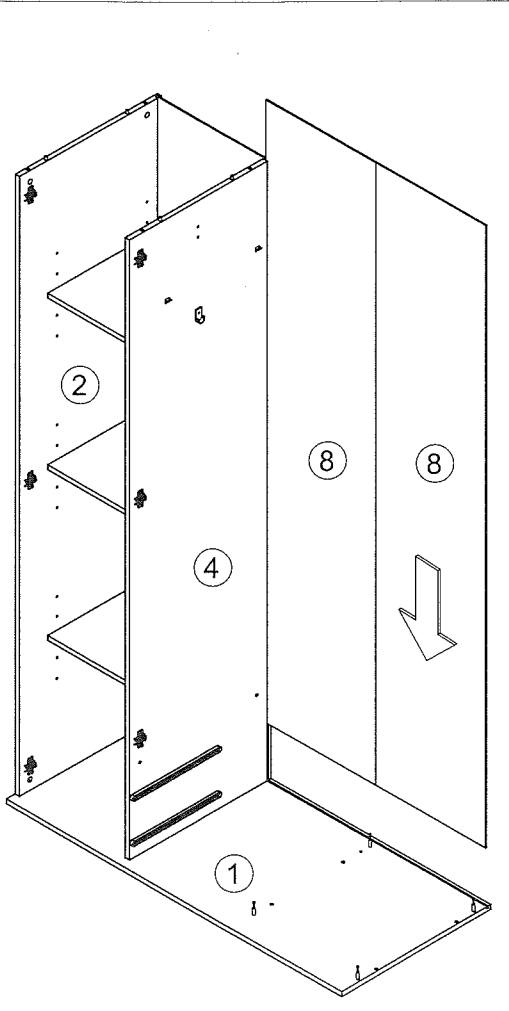
12



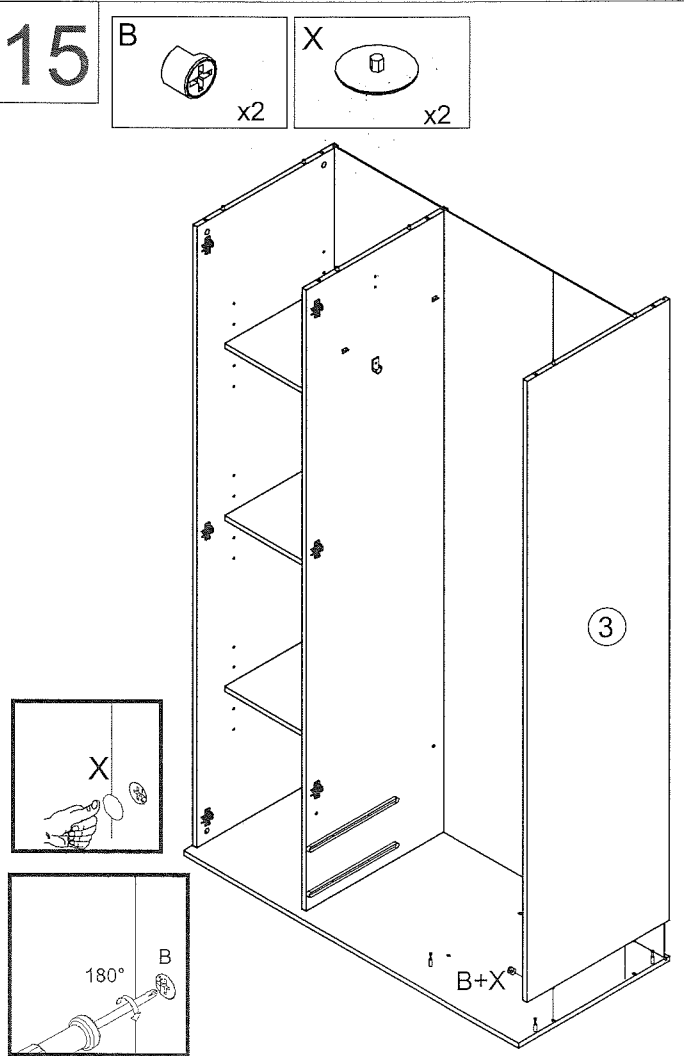
13



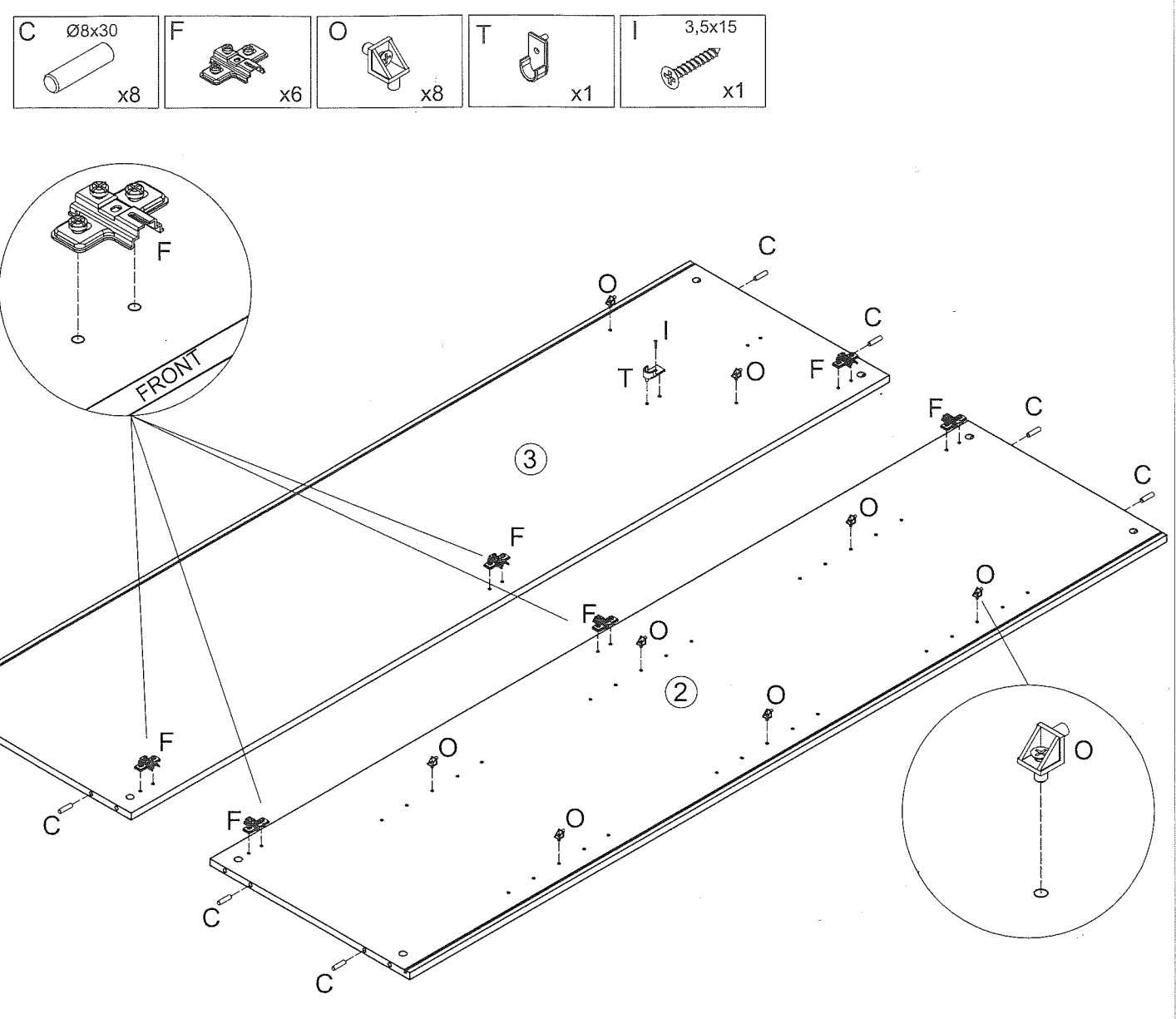
14



15



5



6

